

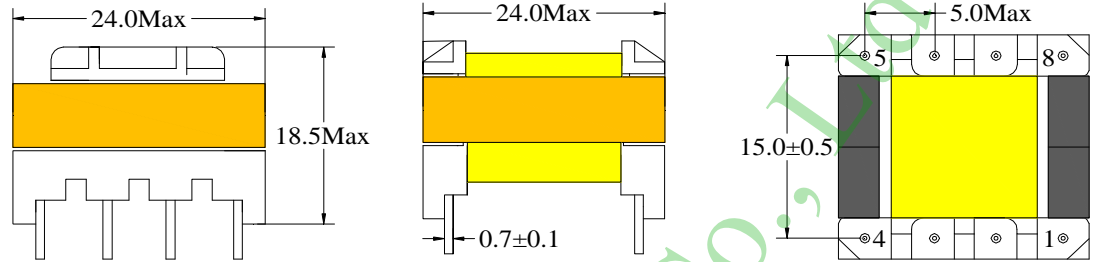


High-frequency transformer EF20 Series

Parameters/Dimensions:

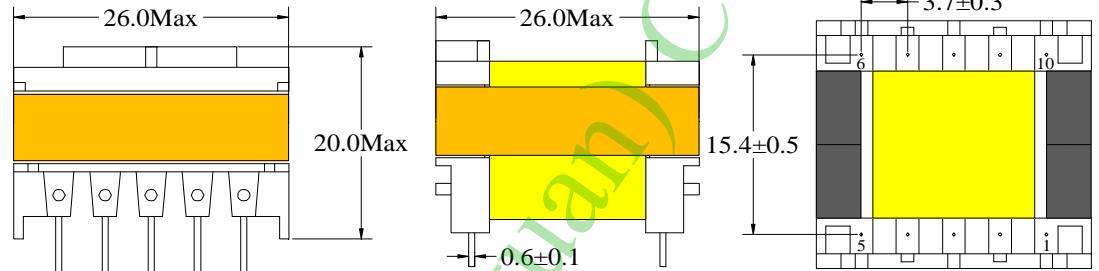
EF20 Type 1

- Information:
 Shape:EF20
 1 Power:40-45W
 2 Mounting Orientation: Horizontal
 3 Size: 24 (W) * 24 (L) * 18.5 (H)
 4 Effective Ae (mm2): 33.5-60.6



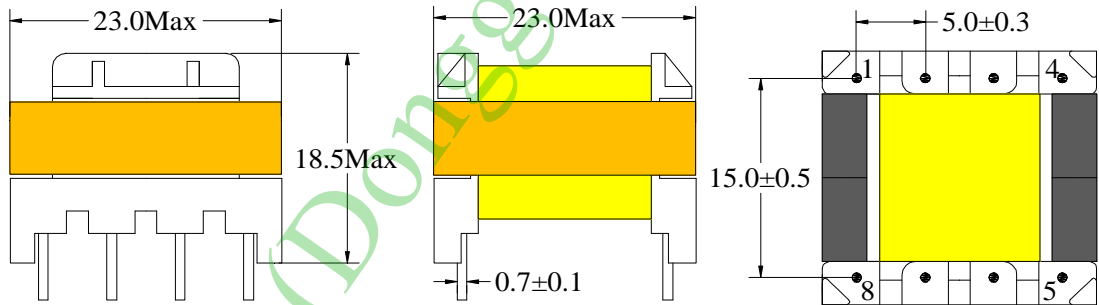
EF20 Type 2

- Information:
 Shape:EF20
 1 Power:40-45W
 2 Mounting Orientation: Horizontal
 3 Size: 26 (W) * 26 (L) * 20 (H)
 4 Effective Ae (mm2): 33.5-60.6



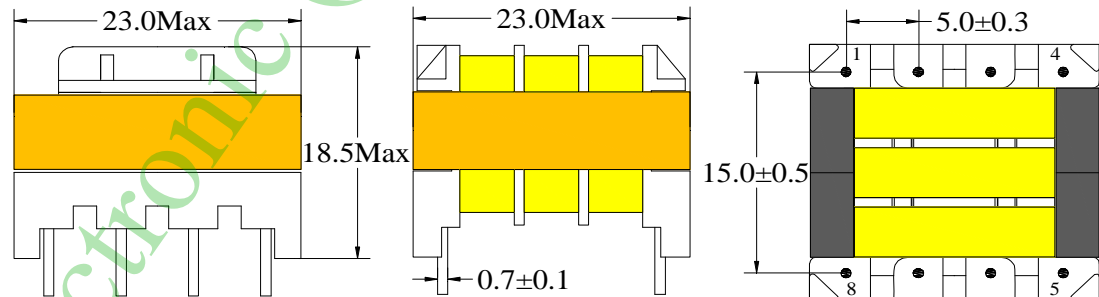
EF20 Type 3

- Information:
 Shape:EF20
 1 Power:40-45W
 2 Mounting Orientation: Horizontal
 3 Size: 23 (W) * 23(L) * 18.5(H)
 4 Effective Ae (mm2): 33.5-60.6



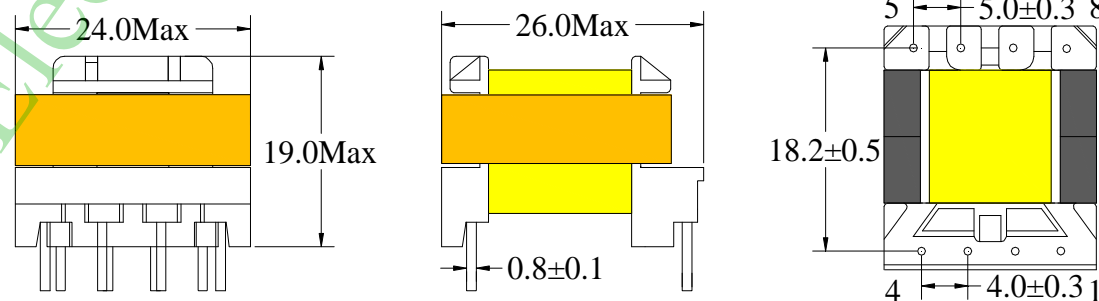
EF20 Type 4

- Information:
 Shape:EF20
 1 Power:40-45W
 2 Mounting Orientation: Horizontal
 3 Size: 23 (W) * 23(L) * 18.5(H)
 4 Effective Ae (mm2): 33.5-60.6



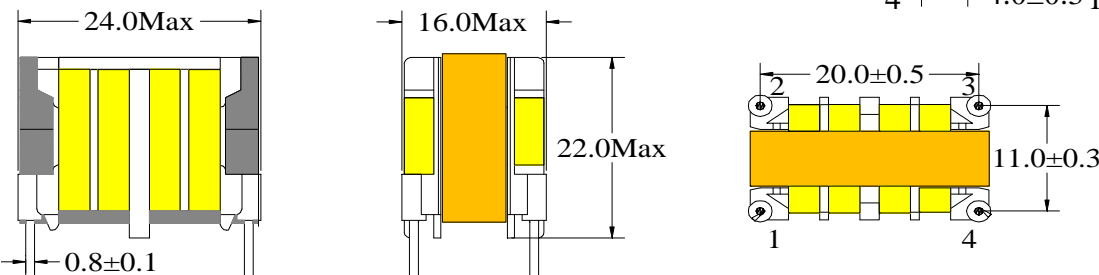
EF20 Type 5

- Information:
 Shape:EF20
 1 Power:40-45W
 2 Mounting Orientation: Horizontal
 3 Size: 24 (W) * 26(L) * 19(H)
 4 Effective Ae (mm2): 33.5-60.6



EF20 Type 6

- Information:
 Shape:EF20
 1 Power:40-45W
 2 Mounting Orientation: Horizontal
 3 Size: 24 (W) * 16(L) * 22(H)
 4 Effective Ae (mm2): 33.5-60.6





High-frequency transformer

EF20 Series

Parameters/Dimensions:

EF20 Type 7

Information:

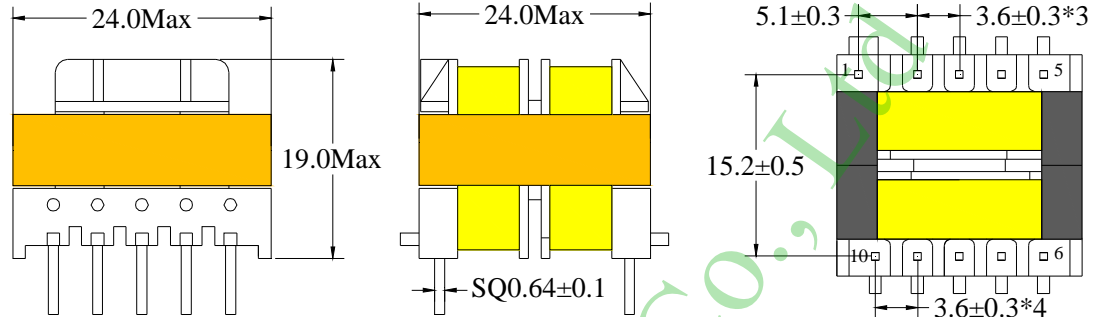
Shape:EF20

1 Power:40-45W

2 Mounting Orientation: Horizontal

3 Size: 24 (W) * 24(L) *19(H)

4 Effective Ae (mm2): 33.5-60.6



EF20 Type 8

Information:

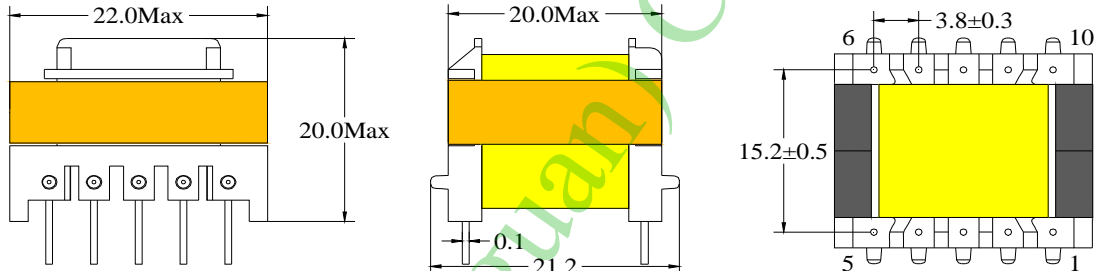
Shape:EF20

1 Power:40-45W

2 Mounting Orientation: Horizontal

3 Size: 22(W) * 20(L) *20(H)

4 Effective Ae (mm2): 33.5-60.6



EF20 Type 9

Information:

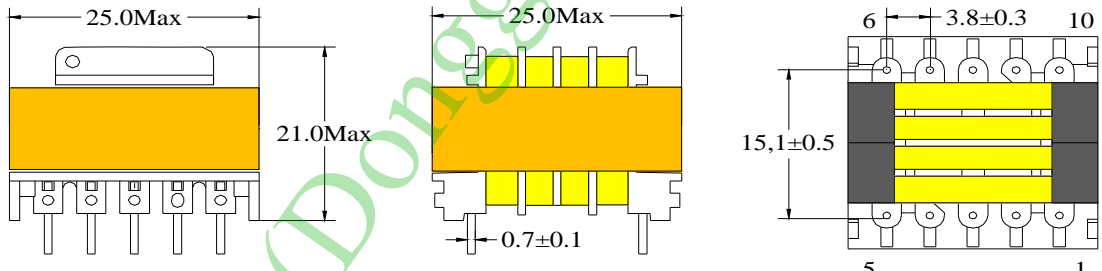
Shape:EF20

1 Power:40-45W

2 Mounting Orientation: Horizontal

3 Size: 25 (W) * 25(L) *21(H)

4 Effective Ae (mm2): 33.5-60.6



EF20 Type 10

Information:

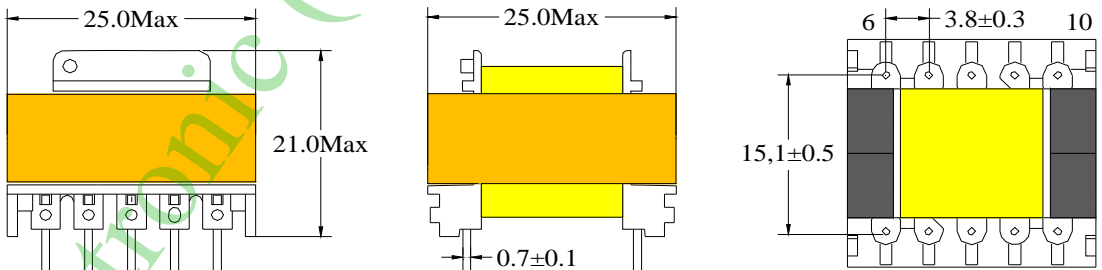
Shape:EF20

1 Power:40-45W

2 Mounting Orientation: Horizontal

3 Size: 25 (W) * 25(L) *21(H)

4 Effective Ae (mm2): 33.5-60.6



EF20 Type 11

Information:

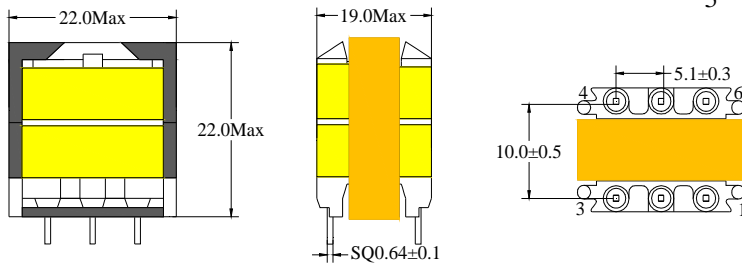
Shape:EF20

1 Power:40-45W

2 Mounting Orientation: Vertical 1

3 Size: 24 (W) * 16(L) *22(H)

4 Effective Ae (mm2): 33.5-60.6



EF20 Type 12

Information:

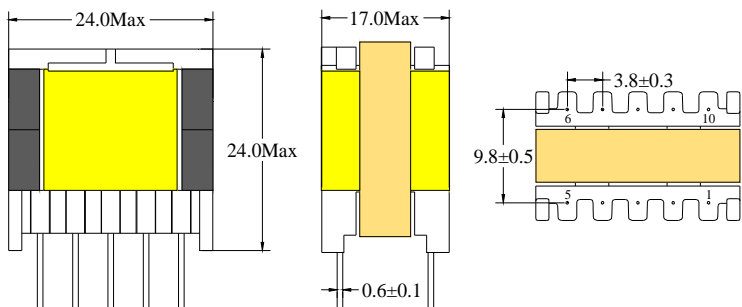
Shape:EF20

1 Power:40-45W

2 Mounting Orientation: Vertical

3 Size: 24 (W) * 17(L) *24(H)

4 Effective Ae (mm2): 33.5-60.6





High-frequency transformer EF20 Series

Parameters/Dimensions:

EF20 Type 13

Information:

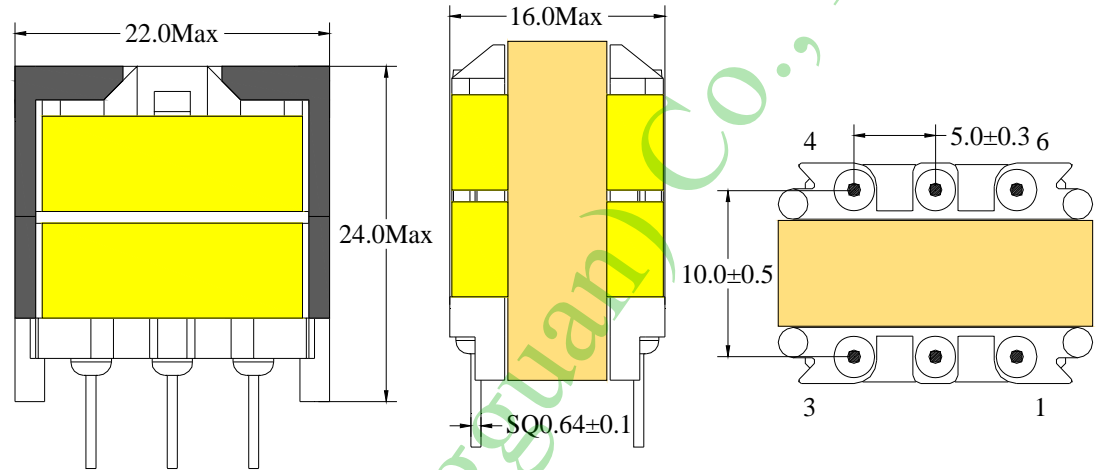
Shape:EF20

1 Power:40-45W

2 Mounting Orientation: Vertical

3 Size: 22 (W) * 16(L) *24(H)

4 Effective Ae (mm²): 33.5-60.6



Note:

Bobbin type listed in the traditional style, transformer design parameters to customer needs or to inject prevail.

EF series high-frequency transformer features:

Lead space, easy winding wire. Applicable to a wide range of high frequency, wide operating voltage range, output power, good thermal stability.

Uses:

Program-controlled switches are widely used in power supplies, LCD power supply, UPS power inverter power supply, computer power, energy-saving lamps and other fields.